

VERONA PLUS SATINEE COPPER



Mixer Taps

Code: R498 A28

MITIGEUR VERONA PLUS SATINE COPPER



DETAILS

Mixer type Single-lever mixer tap with rotating barrel and extractable shower

Coloring Copper

Finish PVD

Material Brass

Texture Brushed in line

Rotating angle 360°

Strengthening plate ø50mm

Cartridge With ceramic discs

Mixer hole ø35mm

Rear encumbrance 35mm

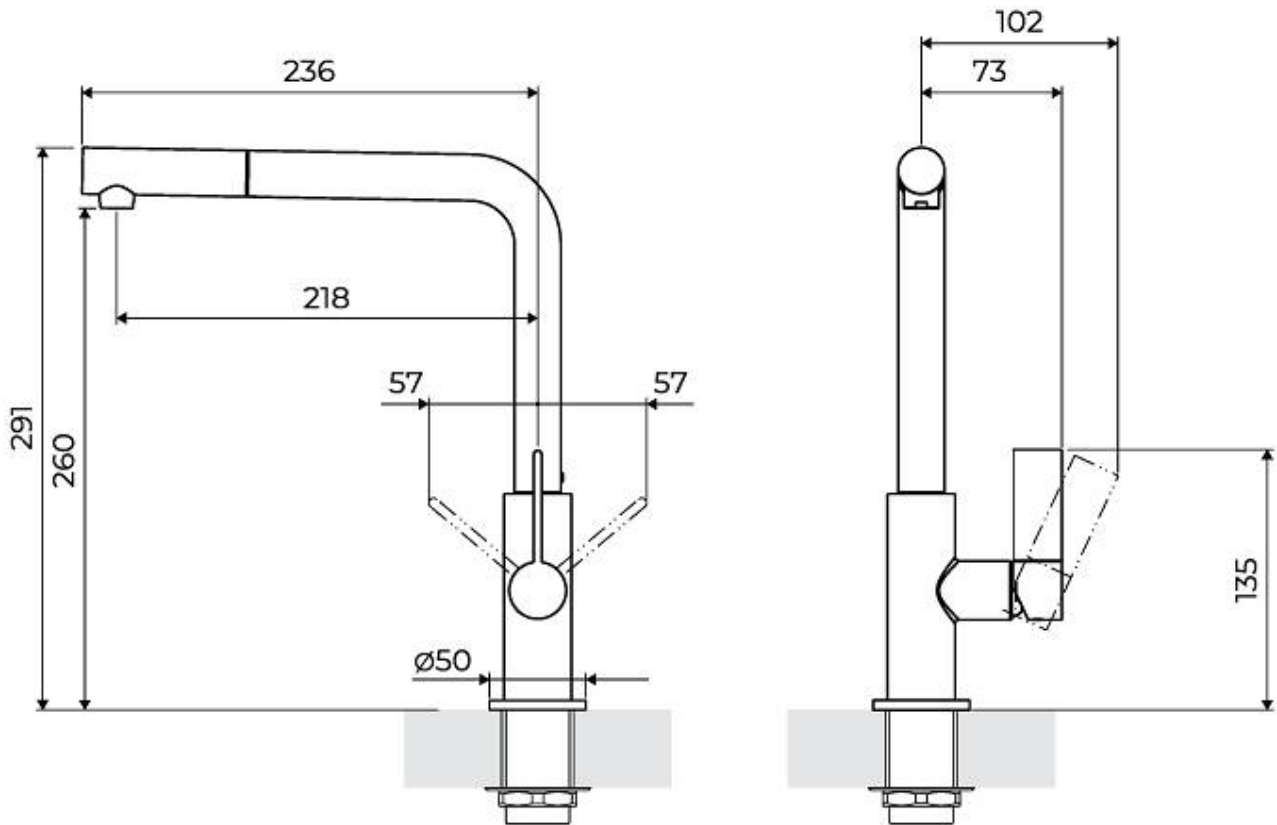
Max worktop thickness 40mm

FEATURES

Strengthening plate Foster's mixer taps are equipped with the strengthening plate that offers perfect stability on any sink.

Rotating angle All the taps have a wide angle of rotation. Some models even permit a full 360° rotation.

TECHNICAL DATA



GALLERY

